



SEWITONLINE.COM

### CLOTH SURGICAL FACE MASK PATTERN

#### SUPPLIES:

FABRIC SCRAPS (NEED 1 LIGHT  
AND 1 DARK  
COLOR FABRIC FOR VISIBLE  
CONTRAST)

SEWING MACHINE OR SERGER

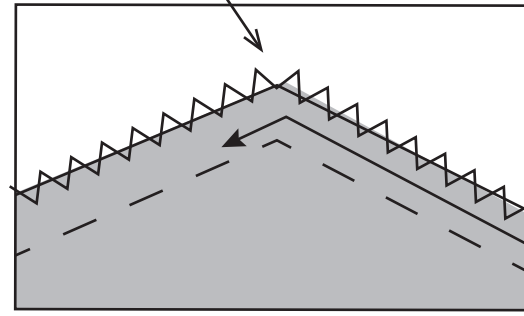
13IN OF 1/4IN ELASTIC (ANY  
NARROW ELASTIC  
WORKS)

3IN WIRE (THINNER GAUGE  
ENOUGH TO BEND AND  
HOLD FOR NOSE PIECE. CAN  
EVEN USE PAPER  
CLIPS! MAKE SURE TO BEND  
ENDS IN SO THE WIRE  
DOES NOT POKE THROUGH  
FABRIC)

INSTRUCTIONS ON NEXT PAGE

ZIG-ZAG FABRIC  
LAYERS AT TOP OF  
MASK (FOR NOSE)

TOP OF MASK



\*\*ADD WIRE  
BEFORE TURNING

WIRE CUT  
AT 3IN

FOLD LINE. TOP STITCH 1ST

FOLD LAST. AFTER STITCHING  
A & B RIGHT SIDES TOGETHER

# LARGE MASK A (FRONT)

## CUT 2

(SEW RIGHT SIDES TOGETHER)

1/4" SEAM ALLOWANCE

# CLOTH SURGICAL FACE MASK PATTERN INSTRUCTIONS



SEWITONLINE.COM

**Step 1:** Cut 2 of pattern A fabric right sides together, cut 2 of pattern B fabric right sides together. Cut 2, 6.5in pieces of 1/4in elastic.

**Step 2:** Fold pattern A fabric 1/4in from end (as shown on pattern) top stitch down.

**Step 3:** Fold pattern B fabric 1/2in from end (as shown on pattern) top stitch down.

**Step 4:** With pattern A fabric right sides together, sew curved seam to create the center of mask with 1/4in seam allowance with a straight stitch. Clip curved seam to allow seam to lay flat.

**Step 5:** With pattern B fabric right sides together, sew curved seam to create the center of the mask with 1/4in seam allowance. Clip curved seam to allow seam to lay flat.

**Step 6:** Match pattern A and B at middle seam (nest seams) and stitch with 1/4in seam allowance both layers together at top and bottom (leaving ends open). Pattern A WILL BE LONGER THAN pattern B!

**Step 7:** Before turning right sides out, zig-zag stitch pattern A and B edges together at the nose of the mask (2in down from top point on both sides, 4in total).

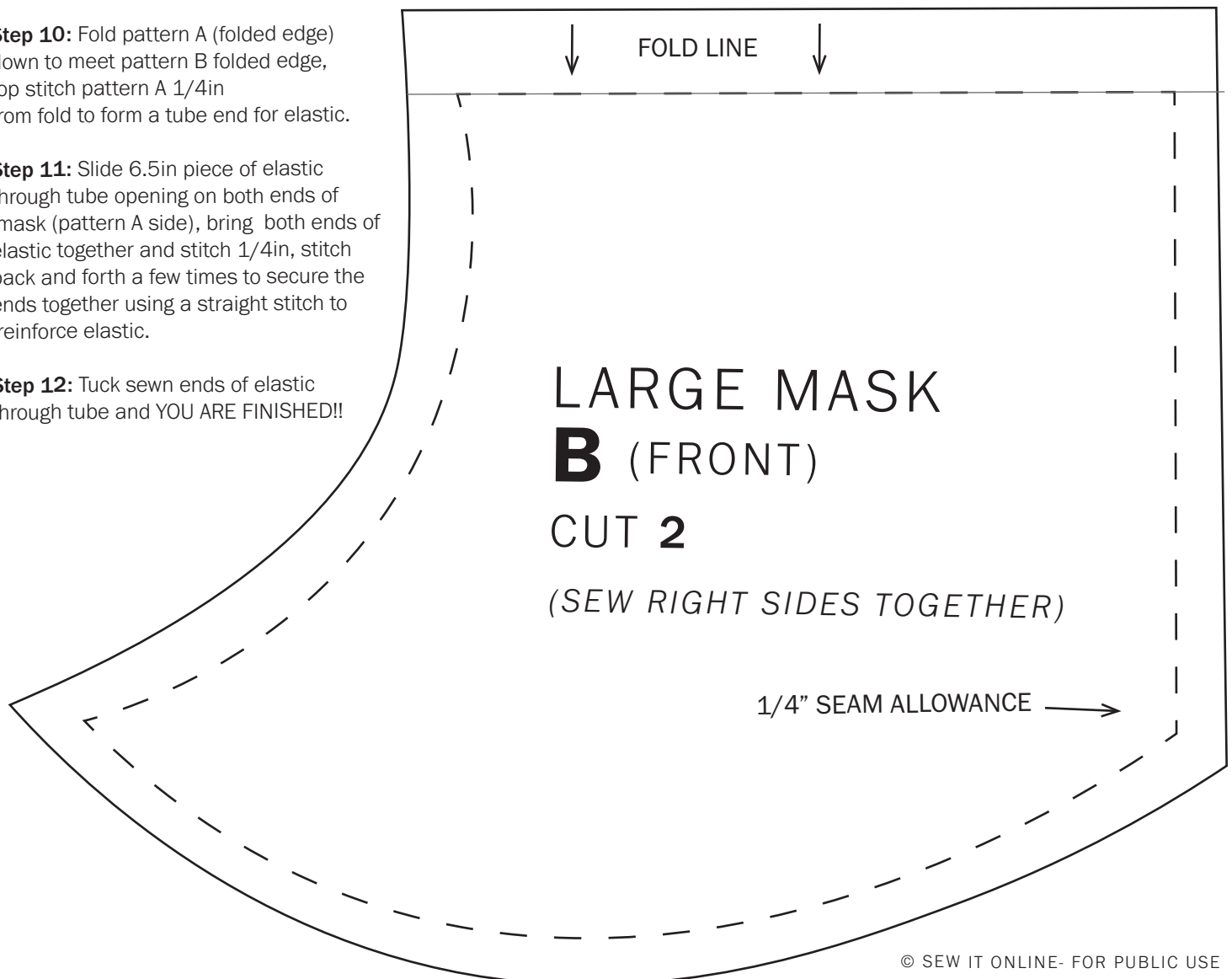
**Step 8:** Slide wire between 1/4in seam allowance and zig-zagged edge at nose point, bend slightly around the curve.

**Step 9:** Turn mask right side out using the side openings.

**Step 10:** Fold pattern A (folded edge) down to meet pattern B folded edge, top stitch pattern A 1/4in from fold to form a tube end for elastic.

**Step 11:** Slide 6.5in piece of elastic through tube opening on both ends of mask (pattern A side), bring both ends of elastic together and stitch 1/4in, stitch back and forth a few times to secure the ends together using a straight stitch to reinforce elastic.

**Step 12:** Tuck sewn ends of elastic through tube and YOU ARE FINISHED!!



# CLOTH SURGICAL FACE MASK PATTERN

INSTRUCTIONS ONLY



SEWITONLINE.COM

## SUPPLIES:

Fabric scraps (*Need 1 light and 1 dark color fabric for visible contrast*)

Sewing machine or serger

13in of 1/4in elastic (*any narrow elastic works*)

3in wire (*thinner gauge enough to bend and hold for nose piece. Can even use paperclips! Make sure to bend ends in so the wire does not poke through fabric*)

**STEP 1:** Cut 2 of pattern A fabric right sides together, cut 2 of pattern B fabric right sides together. Cut 2, 6.5in pieces of 1/4in elastic.

**STEP 2:** Fold pattern A fabric 1/4in from end (as shown on pattern) top stitch down.

**STEP 3:** Fold pattern B fabric 1/2in from end (as shown on pattern) top stitch down.

**STEP 4:** With pattern A fabric right sides together, sew curved seam to create the center of mask with 1/4in seam allowance with a straight stitch. Clip curved seam to allow seam to lay flat.

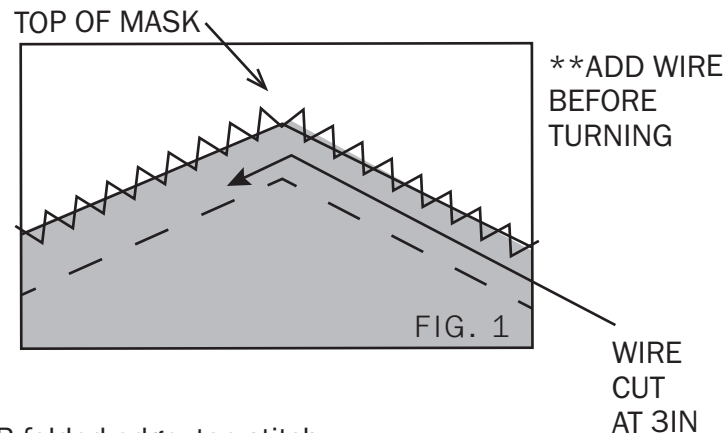
**STEP 5:** With pattern B fabric right sides together, sew curved seam to create the center of the mask with 1/4in seam allowance. Clip curved seam to allow seam to lay flat.

**STEP 6:** Match pattern A and B at middle seam (nest seams) and stitch with 1/4in seam allowance both layers together at top and bottom (leaving ends open). Pattern A WILL BE LONGER THAN pattern B!

**STEP 7:** Before turning right sides out, zig-zag stitch pattern A and B edges together at the nose of the mask (2in down from top point on both sides, 4in total). (See FIG. 1)

**STEP 8:** Slide wire between 1/4in seam allowance and zig-zagged edge at nose point, bend slightly around the curve.

ZIG-ZAG FABRIC LAYERS AT TOP OF MASK (FOR NOSE)



**STEP 9:** Turn mask right side out using the side openings.

**STEP 10:** Fold pattern A (folded edge) down to meet pattern B folded edge, top stitch pattern A 1/4in from fold to form a tube end for elastic.

**STEP 11:** Slide 6.5in piece of elastic through tube opening on both ends of mask (pattern A side), bring both ends of elastic together and stitch 1/4in, stitch back and forth a few times to secure the ends together using a straight stitch to reinforce elastic.

**STEP 12:** Tuck sewn ends of elastic through tube and YOU ARE FINISHED!!